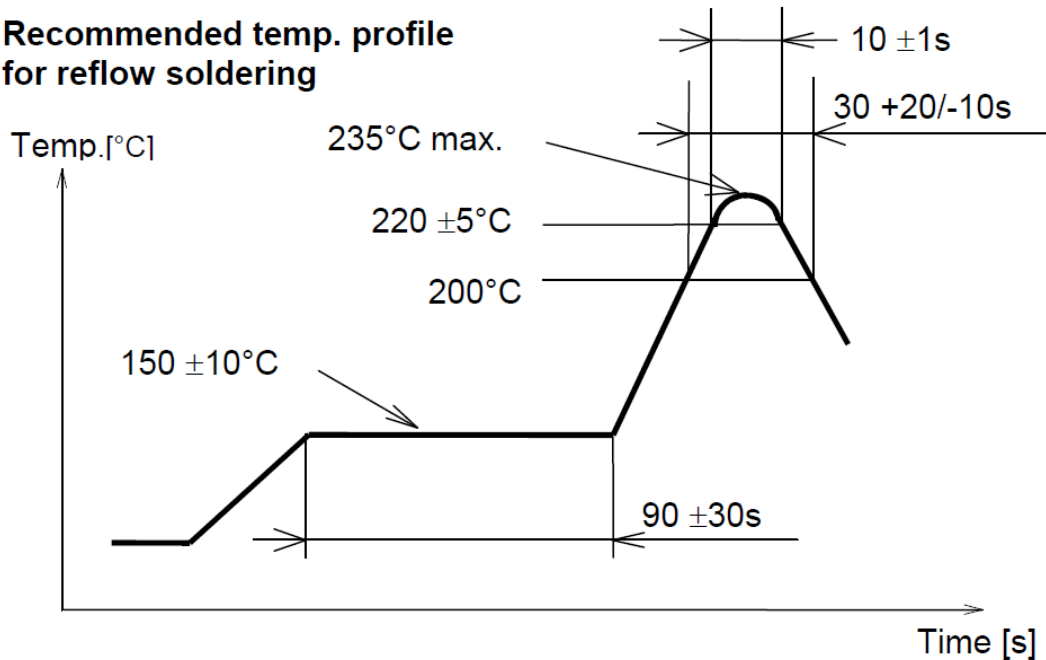


Bluetooth® S1/S2/S3/D2 SMD Modules

SOLDERING TEMPERATURE-TIME PROFILE (FOR REFLOW SOLDERING)

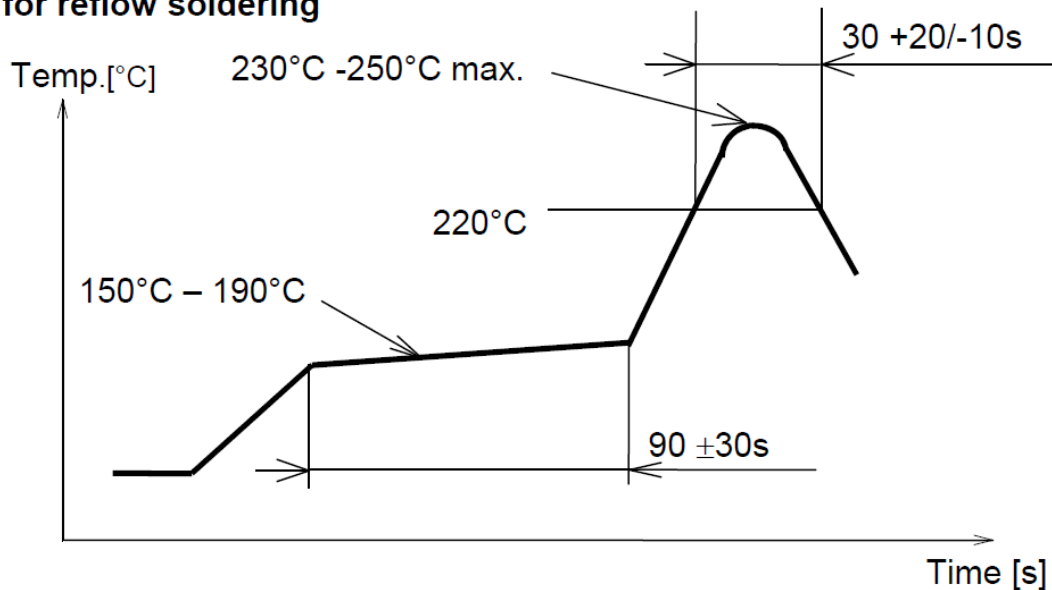
FOR LEAD SOLDER

**Recommended temp. profile
for reflow soldering**



FOR LEADFREE SOLDER

**Our used temp. profile
for reflow soldering**



Reflow permissible cycle: 2
Opposite side reflow is prohibited due to module weight.