

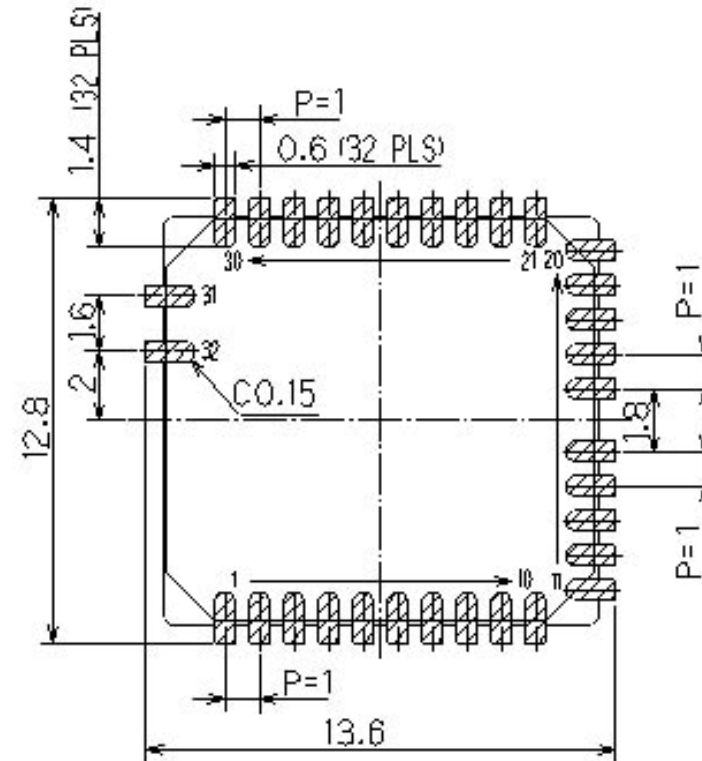
Reference Design Note / Pattern Design

Model Number: WML-C46###
Revision: 1.0

Standard Land Dimensions

1. For WML-C46N## without Antenna Type

Please refer to "Antenna matching application note", "Antenna placement application note" and "Antenna strip design note" to locate the Strip Line and GND plane around the module.

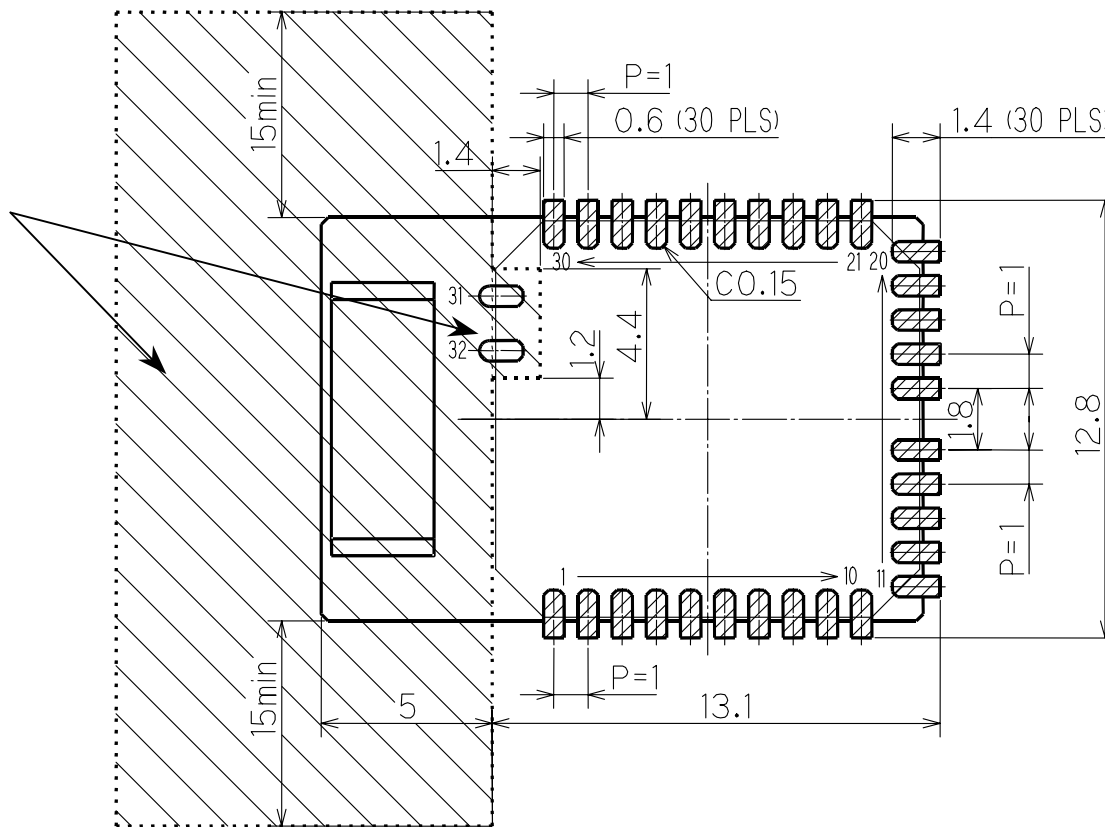


COMMERCIAL IN CONFIDENCE

This material may not in whole or part be copied, stored electronically or communicated to third parties without MITSUMI ELECTRIC CO., LTD's prior agreement in writing.

2. For WML-C46A## with Antenna Type

In this area, you should not locate any parts or GND plane / Patterns on surface or internal layer.



COMMERCIAL IN CONFIDENCE

This material may not in whole or part be copied, stored electronically or communicated to third parties without MITSUMI ELECTRIC CO., LTD's prior agreement in writing.

Recode of Changes

Date	Revision	Description
22 th Dec, 2006	R0.9	Original
26 th Dec, 2006	R1.0	Released 1.0 (no modification from rev. 0.9)

Mitsumi does not assume any responsibility for use of any dimensions described, no dimension patent licenses are implied, and Mitsumi reserves the right, at any time without notice, to change said dimensions and specifications.

Bluetooth™ and the Bluetooth logos are trademarks owned by Bluetooth SIG Inc. USA and licensed to Mitsumi.

Mitsumi Products are not authorized for use in life-support or safety applications.

COMMERCIAL IN CONFIDENCE

This material may not in whole or part be copied, stored electronically or communicated to third parties without MITSUMI ELECTRIC CO., LTD's prior agreement in writing.