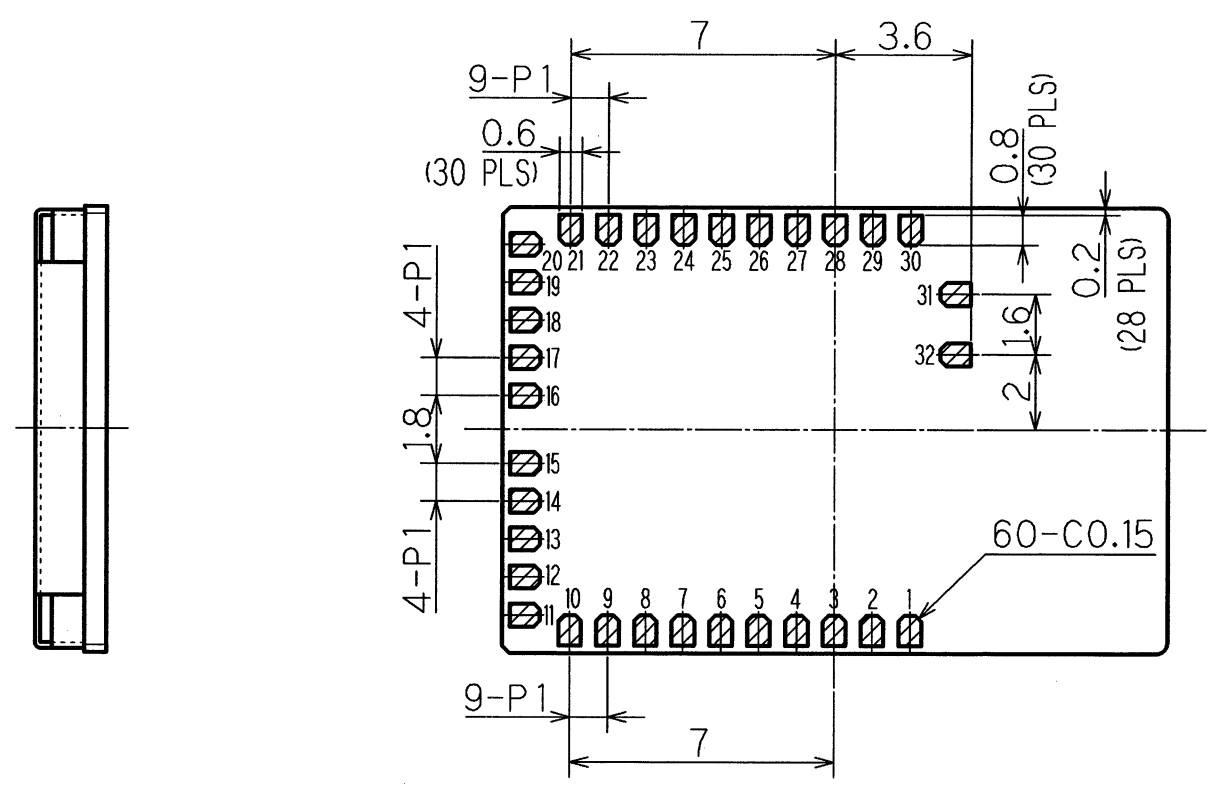
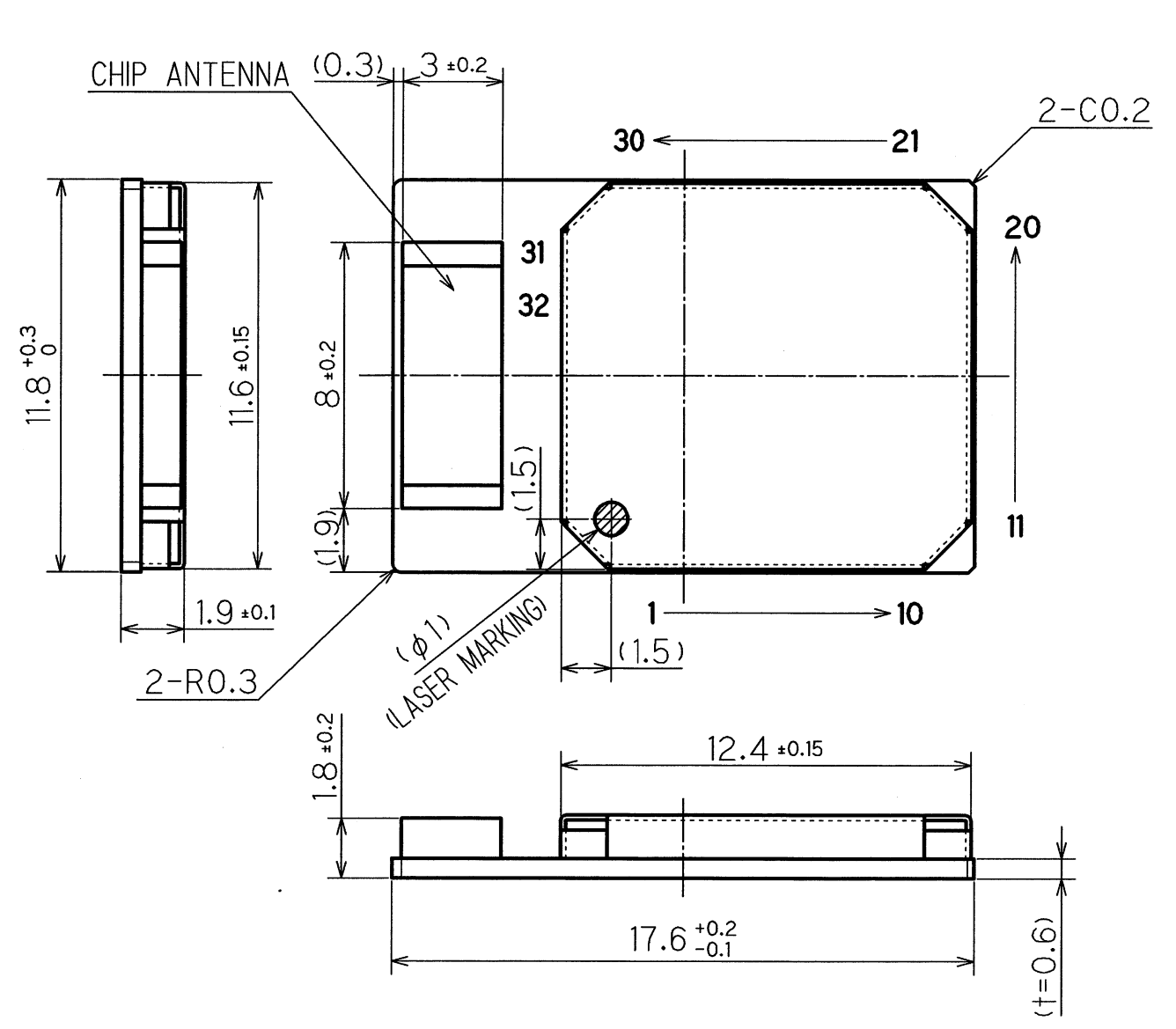


1 2 3 4 5 6 7 8

A  
B  
C  
D  
E



No.	TERMINALS	No.	TERMINALS
1	GND	17	PCM_SYNC
2	N.C.	18	PCM_OUT
3	RESET	19	N.C.
4	AIO [1]	20	GND
5	SPI_MISO	21	AIO [0]
6	SPI_CSB	22	PIO [9]
7	SPI_CLK	23	PIO [2]
8	SPI_MOSI	24	PIO [5]
9	VDD	25	PIO [6]
10	GND	26	PIO [3]
11	UART_CTS	27	PIO [8]
12	UART_RTS	28	PIO [4]
13	UART_TX	29	PIO [7]
14	UART_RX	30	GND
15	PCM_CLK	31	N.C.(RF_TEST:ANT)
16	PCM_IN	32	N.C.(RF_TEST:GND)

Preliminary

記号 SYM.	来 歴 REVISION	年月日 DATE	氏名 NAME	指定等級 CLASS	角度許容差 A.TOLERANCE	±	第三角法 THIRD ANGLE PROJECTION	尺度 SCALE	一般許容差 TOLERANCE	一般仕上 FINISH	代表機種名 MODEL	WML-C46AHR
				寸法区分 MEASURE CLASS	一般許容差/等級 TOLERANCE/CLASS	1 2 3	UNIT mm	5 1	± 0.1		OVERALL APPEARANCE	外形図 O.A.DWG.
				≤ 30	±0.1 ±0.15 ±0.2		DESIGN BY	CHECKED BY	APPROVED BY	REV. APPROVED BY	SYM.	GROUP NO.
				30 < ≤ 120	±0.15 ±0.2 ±0.3		06.1.26 桜井	06.1.27 坂井	06.1.27 深長吉永			64
				120 < ≤ 300	±0.2 ±0.3 ±0.5							9686
				300 <	±0.3 ±0.5 ±0.8							△ 0