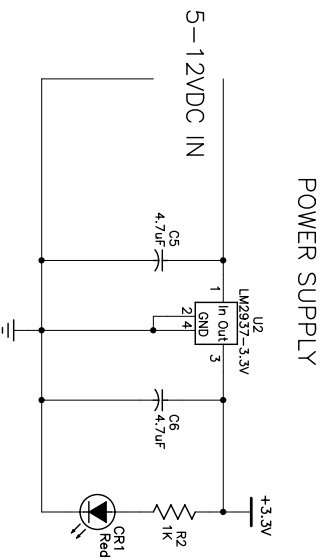
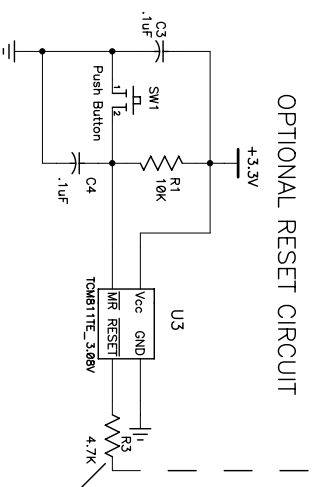


5V TO 3.3V CONVERSION



POWER SUPPLY



OPTIONAL RESET CIRCUIT

Add resistor if you wish to use external reset and internal reset at the same time.

Copyright © 2003, BlueRadios  
Proprietary and Confidential

Board Origin:

Title BR-C40A Reference Design

Size B Number BR-C40A Ref Rev A

Date Wed Mar 01, 2006 Drawn by FWF

Filename BRREFRTSCH Sheet 1 of 1