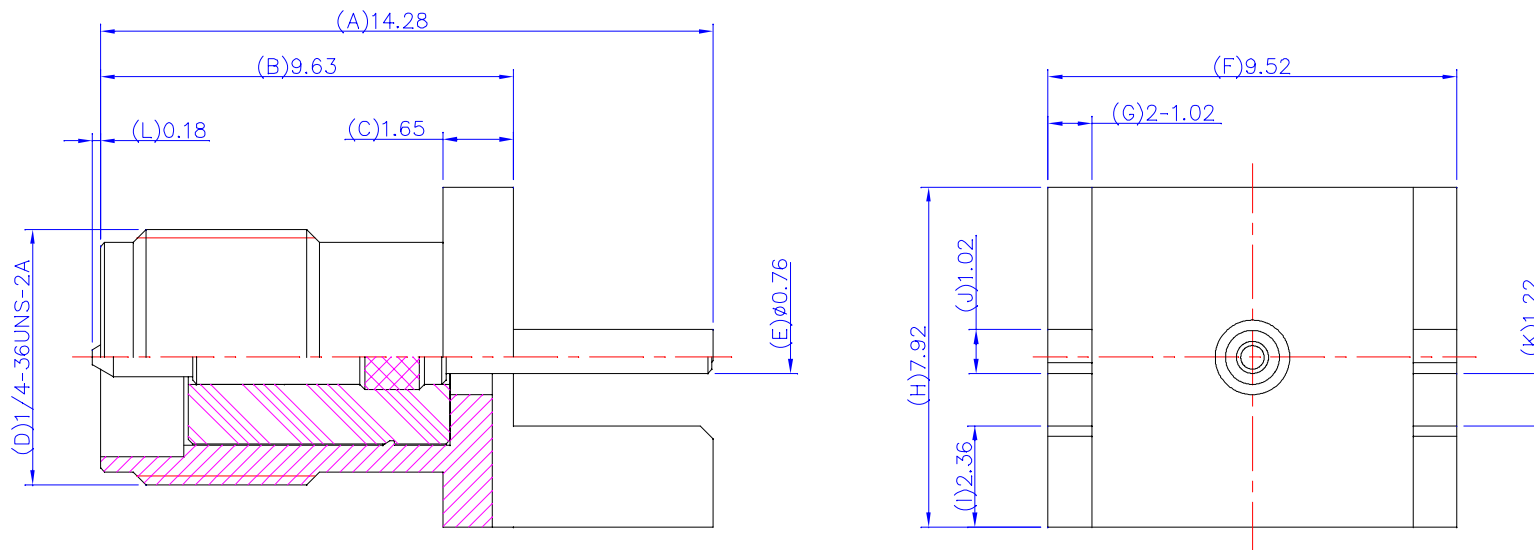
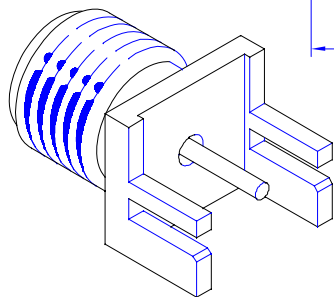
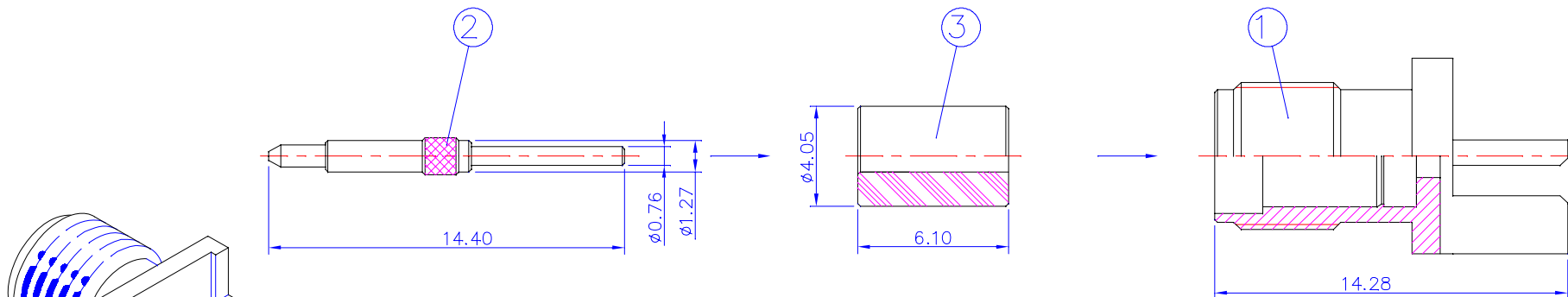


REVISED EDITION			
DATE	Resp.	DESCRIPTION	REV



SCALE 6:1



SURF. TEXTURE 3.2	SCALE 4 : 1	ISSUED	DATE	HANTECHNIC INC., TITLE SMA STR JACK REVERSE FOR PCB
	TOLERANCE ± 0.10	CHECKED	DATE	
 ANGLES —	Q.C.	DATE	SIZE A4	
FINISH SEE TABLE	HEAT TREAT —	Q.C.	DATE	
MATERIAL SEE TABLE	DRAWN CHEN	DATE 06/21/2002	HQ-F3248 DWG NO. 309-0813-11010 CAD FILE: HT_RF-309-0803-11010A CUSTOMER NO.	REV A UNITS MM

ITEM	HT PART NO.	DESCRIPTION	MATERIAL	FINISH	Q'TY
3	315-0001-00000	INSULATOR	TEFLON	—	1
2	316-0290-11000	PIN	BRASS C3602B	Cu0.75umNi1.25umAu0.75um	1
1	321-0454-11000	PCB BODY	BRASS C3602B	Cu0.75umNi1.25umAu0.13um	1